



**GALAXY
5000RS/2000RS
SERIES-DBP**

DATA BUS PORT



**VEHICLE SECURITY SYSTEM
WITH REMOTE START**

PRODUCT MANUAL

Limited Lifetime Warranty

This vehicle security system is warranted to the original purchaser, to be free from defects in material and workmanship. The manufacturer will repair or replace at its option, and free of charge for the first twelve (12) months, any part that proves defective in material or workmanship under normal installation, use, and service, provided the product is returned to the manufacturer freight prepaid. After the first 12 month warranty period there will be a maximum service charge of \$25.00 per calendar year (if required) for repair and/or replacement of any defective parts.

A copy of the original purchase and installation receipt must accompany any products returned for warranty service. Warranty is limited to defective parts and/or replacement parts only and excludes any incidental, and consequential damages connected therewith.

The manufacturer of this theft deterrent system makes no warranty against the theft of the vehicle or its contents. This warranty is not to be construed as an insurance policy against loss.

WARRANTY OF INSTALLATION LABOR, REMOVAL AND RE-INSTALLATION CHARGES ARE NOT THE RESPONSIBILITY OF THE MANUFACTURER.

Note: This Warranty is voided if the product was not installed by an Authorized ScyTek Dealer.

Table of Contents

1.	About Your System	Page 1
2.	Remote Transmitters	Page 2
	Remote Transmitter Description	Page 3
	Adding/Replacing Transmitters	Page 3
	Two Car Operation	Page 3
	Battery Replacement	Page 3
	2-way LCD Remote Transmitter Description	Page 4
	Adding/Replacing 2-way Transmitters, Programmable features and descriptions.	Page 4-8
	LCD Transmitter Battery Replacement	Page 5
3.	System Operation	Page 9
	Remote Arming*/Locking	Page 9
	Remote Disarming*/Unlocking	Page 9
	Tamper Alert*	Page 10
	Silent Arming*/Locking -Disarming*/Unlocking	Page 10
	Passive Arming*	Page 10
	Panic Mode	Page 11
	Emergency Override*	Page 11
	Optional Coded Emergency Override*	Page 11
	Automatic Rearming*	Page 12
	Valet Mode/ Driver Calling Feature	Page 12
4.	Remote Start Features	Page 13
	Remote Starting	Page 13
	Shut Down	Page 13
	Quick Stop	Page 13
	Automatic Start Mode	Page 14
	Turbo Timer Feature	Page 14
	Manual Transmission Remote Starting	Page 15
5.	Extended Features	Page 16
	Ignition Door Locking	Page 16
	Ignition Door Unlocking	Page 16
	Dome Light Activation	Page 16
	Auxiliary Function Outputs	Page 16
	Disarm with Auxiliary Function*	Page 16
	Remote Sensor Disable*	Page 16
6.	System Installation	Page 17
	Mounting the Control unit	Page 18
	Mounting the Siren*	Page 18
	Mounting the Shock Sensor*	Page 18
7.	System Wiring	Page 19
	6-Pin Starter Harness	Page 19
	20-Pin Main Harness	Page 19
	Plug-in Connectors	Page 20
8.	Jumper Settings	Page 21
	Jumper Selection	Page 21
9.	System Programming	Page 22
	Entering System Programming	Page 22
	Default Reset	Page 22
	Programmable System Options	Page 22
10.	Relay Diagrams	Page 26
11.	Door Lock Diagrams	Page 27
12.	Two Stage Door Lock Diagrams	Page 28
13.	Technical Information	Page 30
14.	System Diagnostics	Page 31
15.	Shock Sensor Adjustment.	Page 43
16.	Wiring Diagram	Back Page

About Your System

The ScyTek **Galaxy 5000RS-DBP** Series is a **Combination Vehicle Security and Remote Starting System** , **Galaxy 2000RS-DBP** Series is a Remote Starting with keyless entry.

featuring a built-in "ScyNet Network Port" that allows direct connection of optional accessory modules and a PC interface offering expanded system operation. With proper installation this system will provide superior protection and performance for many years to come.

The Galaxy's 5000/2000RS Series built-in remote starter is designed to offer maximum convenience by remote starting your vehicle's engine, turning on the heater/air conditioner, and then running for a pre-determined time to provide a comfortable environment once you enter your vehicle.

To ensure the safety and security of the system while it is remote started, the Galaxy 5000/2000RS-DBP Series employs several safeguards. In the event the alarm is triggered while the engine is remotely running, the remote start will immediately shutdown to prevent unauthorized users from attempting to drive the vehicle. The system is equipped with a hood pin input to prevent access to the engine compartment while the vehicle is remotely running. The Valet Mode prevents the remote start feature from operating in the event the vehicle is to be serviced. Finally, the brake pedal also acts as a safety by shutting down the remote start when pressed.

System Contents:

- Main Unit with built-in ScyNet Network Interface Port
- One 5-Button 2-Way LCD Remote and One 1-Way 5-Button Remote Transmitter(*RS-2W-1 models*)
- Two 5-Button Random Code Remote Transmitters (*RS & SP models*)
- High Output 6-tone Siren with 5000RS
- Dual Stage Shock Sensor with 5000RS
- Status LED/ Coded Emergency Override/ Valet Switch/ Call button built into the antenna (See Page 30)

Optional ScyNet Network Interface Accessories:

- ScyNet Network Interface Software

Options and Convenience Features**

This ScyTek system includes several optional inputs and outputs allowing the creation of a completely personalized security and convenience system by offering many optional features such as:

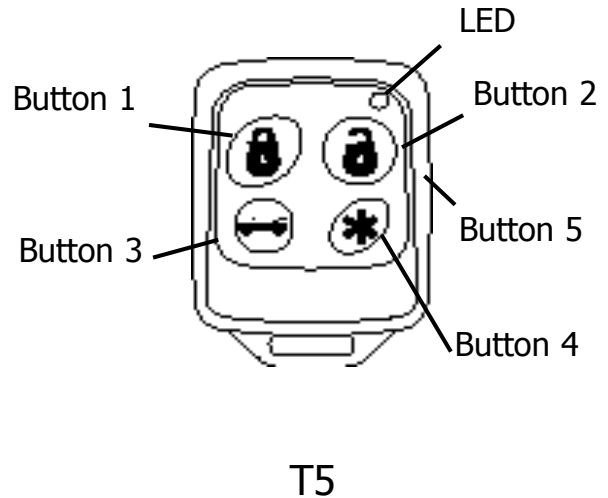
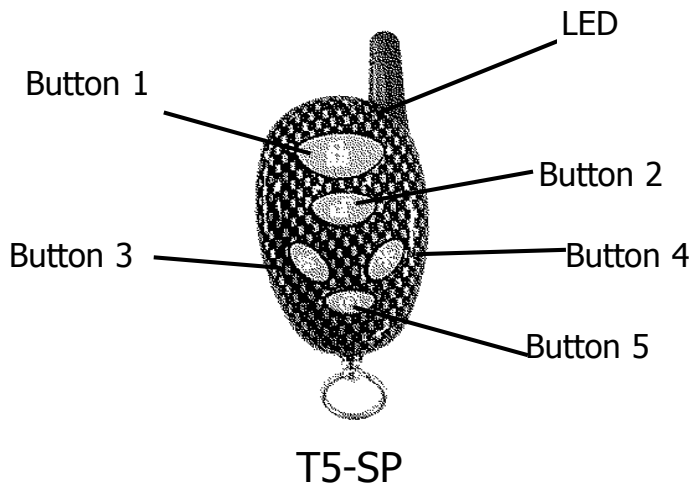
****May require additional parts and/or labor, see store for details.**

- Second Car Operation
- Keyless Entry
- Two Stage Door Unlocking
- Starter Defeat
- Horn Honk
- Illuminated Entry
- Turbo Timer
- Remote Window Control
- Power Trunk / Hatch Release
- Glass Breakage Sensor
- Radar Sensor
- Remote Head Lamp Control
- Back-up Battery Siren

Some of the features described in this manual may require additional parts and/or labor, and may not be included as part of the standard installation of this unit. Additionally, many features of these systems have selectable options that must be activated or programmed during the system's installation. These items will be identified in the following sections. Please discuss these features and any questions you may have regarding the installation of this product with Your Authorized Dealer.

Remote Transmitters

Standard Remote Transmitter Description



Depending on the model chosen, the Galaxy 5000/2000RS-DBP Series will be supplied with one or two **T5 or T5-SP** 5-button Remote Transmitters that are used to control the system's operations.

Note: Using the optional PC or Pocket PC interface with the network software, it is possible to reconfigure the functionality of the transmitter buttons. The standard (default) setting for operation of the transmitters is described below.

Button 1 Arms and Locks the system and when held for 5 seconds, activates the system's Panic feature. Button 1 also locks the doors when the system is in Valet Mode.

Button 2 Disarms and Unlocks the system. Pressing Button 2 again operates the Passenger Unlock feature (if installed). *Button 2* also unlocks the doors when the system is in Valet Mode.

Button 3 Activates the Auxiliary 1 output. This output will remain on for as long as the button is pressed.

Button 4 Activates the Remote Start feature.

Button 5 is the Page Shift button. Each time the Shift Button is pressed, the LED on the transmitter will illuminate and the transmitter functions will shift to the next page, allowing access to another set of features. Once shifted to another page (there are 4 pages total), the transmitter will remain on that page for 10 seconds or until a button is pressed, then it will return to page 1. Under normal operation, only pages 1 and 2 are used. Pages 3 and 4 are usually used for Two Car Operation (see page 3) or optional expansion modules.

Shift then Button 1 Arms/Locks the system silently.

Shift then Button 2 Disarms/Unlocks the system silently.

Shift then Button 3 Activates the Auxiliary 2 output. This output will remain on for as long as the button is pressed.

Shift then Button 4 Activates the Auxiliary 3/Factory rearm output.

Adding/Replacing Standard Remote Transmitters

To replace lost or stolen transmitters or to add additional transmitters into the system, have all desired transmitters ready and follow the steps below.

Note: Up to 4 one-way transmitters can be programmed to operate the system. Any previously stored transmitter will be erased if it is not programmed within the following sequence

To program the transmitter(s):

1. Turn the ignition key On, Off, On, Off, and back On. (Key On 3 times)
 - 3 seconds later The siren/horn will chirp/honk 3 times.
2. Press and hold the Override switch for 5 seconds.
 - The siren/horn will chirp/honk 5 times.
 - The LED will illuminate.
3. Press Button 1 on the first transmitter.
 - The siren/horn will chirp/honk once.
4. Repeat step 3 for each transmitter (up to 4).
5. Turn off the ignition key.

Two Car Operation

If two vehicles are equipped with the Galaxy 5000/2000RS-DBP Series systems, for convenience both can be operated using the same remote transmitter. If all four transmitters are to be used with both cars, program transmitters A and B into the first vehicle in the manner described above. Program transmitters C and D by pressing the Shift button twice before performing steps 3 and 4 above.

When finished programming the first vehicle, program transmitters C and D into the second vehicle as normal, then program transmitters A and B by pressing the Shift button twice before performing step 3.

When programmed in this manner, the driver of the first car can also operate the second vehicle by pressing the Shift button twice and the desired function button.

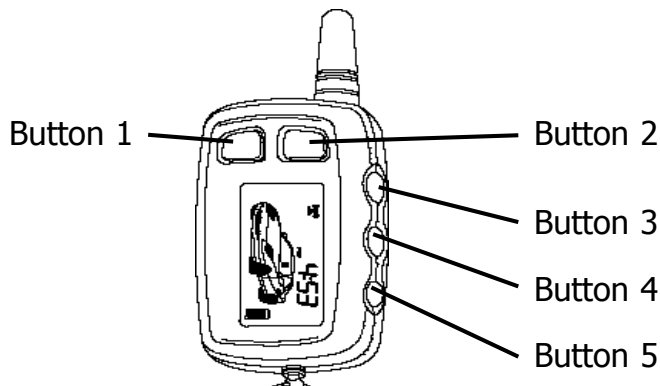
Battery Replacement

The **T5-SP** Remote Transmitter uses two 3 volt lithium batteries (type CR2016)

The **T5** Remote Transmitter uses a 12 Volt lithium battery (type GP23A) which will require replacement in time. Depending on the amount of use, the batteries may last up to six months or more before they need replacement.

In order to change the battery, first remove the screw from the back of the transmitter and separate the top and bottom halves of the case. While replacing the battery make sure that the positive and negative terminals are positioned correctly, then carefully reassemble the transmitter case.

2-way LCD Remote Transmitter Description



Depending on the model chosen, the Galaxy 5000/2000RS-DBP-2W Series will be supplied with one or two 2-way

LCD Remote Transmitters, offering increased range and confirmation of any activated features.

Page 1

Button 1 Arms and Locks the system and when held for 5 seconds, activates the system's Panic feature. Button 1 also locks the doors when the system is in Valet Mode.

Button 2 Disarms and Unlocks the system. Pressing Button 2 again operates the Passenger Unlock feature (if installed). Button 2 also unlocks the doors when the system is in Valet Mode.

Button 3 Activates the Auxiliary 1 output normally used for trunk release (note trunk icon on button).

Button 4 Activates the Remote Start feature.

Button 5 is the Confirmation, Programming and the Page Shift button. Quickly pressing button 5 will activate the Page 2 function. Pressing button 5 for 2 seconds activates the system's confirmation feature which will then display the current status of the system (armed, disarmed, engine running, etc.).

Page 2

Button 1 Silently Arms/Locks the system.

Button 2 Silently Disarms/Unlocks the system.

Button 3 Activates the Auxiliary 2 output.

Button 4 Aux 3 or Factory Rearm output.

Button 5 Not Implemented.

Page 3 & 4 are used as **Page 1 & 2** for second car operation

Adding/Replacing 2-way LCD Transmitters

When adding a 2-way LCD transmitter to the system (maximum of two LCD Transmitters total) Any previously stored transmitter will be erased if it is not programed within the following sequence.

Follow these steps:

1. Turn the ignition key On Off, On Off, On Off, and back On. (Key On 4 times)
 - 3 seconds Later the siren/horn will chirp/honk 4 times.
2. Press and hold the Override switch for 5 seconds .
 - The siren/horn will chirp/honk 4 times.

Page 4 - Galaxy 5000/2000RS-DBP

- The LED will illuminate.
- 3. Press and release Button 1 on the first transmitter then on the second transmitter.
 - The siren/horn will chirp/honk once for every transmitter learned.
- 4. Turn off the ignition key.
- 5. The siren/horn will chirp/honk 3 times to indicate the system has exited programming mode.

LCD Transmitter Battery Replacement

Your Galaxy Remote Transmitter uses a 1.5 volt AAA alkaline battery, which will require replacement in time. Depending on the amount of use, the battery may last up to 3 months before it needs replacement. When the battery needs replacing, the system's operating range will decrease, the LCD display will show only one of three bars in the battery icon, or the display and sounds may suddenly stop and start as the battery voltage drops below minimum.

In order to change the battery, first slide the battery door locking pin to the side. Carefully slide the battery cover downward until it is free. While replacing the battery make sure that the positive and negative terminals are positioned correctly, then carefully reassemble the transmitter case.

Setting The Time

The LCD display is equipped with a 12-hour clock that in addition to displaying the time, offers an alarm clock function as well as a remote activation timer.

To set the time:

1. Press and hold Buttons 2 and 3 for three seconds.
 - The remote will beep two times and three bars will be shown indicating time set mode is entered.
2. Press and release Button 2 until the correct hour is displayed. (hold button to scroll).
3. Press and release Button 3 until the desired minute is displayed. (hold button to scroll).
4. When the desired time is displayed, press Button 5 to store.
 - The remote will beep 3 times to indicate the time has been set.

Setting The Alarm Clock

The alarm clock function can be set to play an alert melody at a specific time of day.

To set the alarm clock function:

1. Press and hold Buttons 2 and 3 until the remote beeps three times.
 - The alarm clock bell and three bars will be shown indicating alarm clock set mode is entered.
2. Press Button 2 until the desired hour is displayed.
3. Press Button 3 until the desired minute is displayed. The button may be held down to scroll faster.
4. When the desired time is displayed, press Button 5 to store.
 - The remote will beep 3 times to indicate the alarm clock has been set.

To disable the alarm clock function:

1. Press and hold Buttons 2 and 3 until the remote beeps three times.
 - The alarm clock bell and three bars will be shown indicating alarm clock set mode is entered.
2. Press Button 1 to disable the alarm clock.
 - The remote will beep 3 times and show OFF to indicate the alarm clock has been disabled.

Setting The Daily Start Function (transmitter must be within 1500ft to reliably start)
 The Daily Start Function provides a timer that allows the vehicle to automatically remote start at a preset time of day , everyday until the feature is turned off.

To set the daily start feature:

1. Press and hold Buttons 2 and 3 until the remote beeps four times.
 - The fan and clock will be shown indicating daily start mode is entered.
2. Press Button 2 until the desired hour is displayed.
3. Press Button 3 until the desired minute is displayed. The button may be held down to scroll faster.
4. When the desired time is displayed, press Button 5 to store.
 - The remote will beep 3 times to indicate the daily start function has been set.

To disable the daily start feature:

1. Press and hold Buttons 2 and 3 until the remote beeps four times.
 - The fan and clock will be shown indicating daily start mode is entered.
2. Press Button 1 to disable the daily start function.
 - The remote will beep 3 times to indicate the daily start function has been disabled.

Setting The Automatic Cold Start Temperature (2 step procedure, for second step see page 7 under c°)

The Automatic Cold Start setting sets the temperature threshold. If automatic start is set to cold temperature setting, the starter will activate every 2 or 4 hours if the temperature drops below the set value.

1. Press and hold Buttons 2 and 3 until the remote beeps five times.
 - c° will be shown indicating automatic cold start temperature set mode is entered.
2. Press Button 2 to increase the temperature.
3. Press Button 3 to decrease the temperature.
4. When the desired temperature is displayed, press Button 1 to store the value.
 - The remote will display the temperature and beep 3 times then 4 times to indicate the set temperature.

Setting The Automatic Hot Start Temperature (2 step procedure, for second step see page 7 under h°)

The Automatic Hot Start setting sets the temperature threshold. If automatic start is set to hot temperature setting, the starter will activate every 2 or 4 hours if the temperature rises above the set value.

1. Press and hold Buttons 2 and 3 until the remote beeps six times.
 - h° will be shown indicating automatic hot start temperature set mode is entered.
2. Press Button 2 to increase the temperature.
3. Press Button 3 to decrease the temperature.
4. When the desired temperature is displayed, press Button 1 to store the value.
 - The remote will display the set temperature and beep 3 times then 4 times to indicate the set temperature.

LCD Backlight

Transmitter Button 5 is used for confirmation, transmitter programming, as well as activation of the LCD backlighting for use in the dark. Press and release button 5 momentarily to activate the LCD backlight.

System Confirmation

The 2-way transmitter's confirmation feature allows the current vehicle status to be displayed at any time.

To display system status:

1. Press and hold Button 5 until the display shows CON.
 - The transmitter will beep once.
2. Release Button 5.
 - The transmitter will beep once.
 - The LCD panel will display the current system status.

Programmable Functions using the LCD Transmitter

Pressing and holding transmitter button 5 will scroll through several transmitter programmable options - **DEG, CHP, SND, PSV, VAL, c°** and **h°** .

DEG Check the temperature inside the vehicle

1. Press and hold Button 5 until the display shows DEG.
 - The transmitter will beep twice.
2. Release Button 5.
 - The transmitter will beep four times.
 - The LCD panel will display the temperature inside the vehicle

CHP Set the siren/horn confirmation chirps/honks ON or OFF:

1. Press and hold Button 5 until the display shows CHP.
 - The transmitter will beep three times.
2. Release Button 5.
 - The transmitter will beep once.
 - The LCD panel will show a siren if the chirps*/honks are enabled or "off" if the chirps*/honks are disabled.

SND sound function selects the transmitter's confirmation mode - Tone or Vibration mode.

Set the transmitter confirmation tones ON or OFF:

1. Press and hold Button 5 until the display shows SND.
 - The transmitter will beep four times.
2. Release Button 5.
 - The transmitter will beep once.
 - The LCD transmitter will beep 5 times and display "on" if the sounds are enabled or vibrate and display "off" for the Remote to vibrate.

PSV* passive mode function enables or disables the security system's passive arming mode.

Enable or disable the passive arming mode:

1. Press and hold Button 5 until the display shows PSV.
 - The transmitter will beep five times.
2. Release Button 5.
 - The transmitter will beep once.
 - The LCD panel will play a tone and display "on" if enabled or "off" if disabled.

VLT Valet mode function sets and resets the security system's valet mode.

** this function is enabled only when the system is disarmed/ unlocked.

Set or reset the Valet mode:

1. Press and hold Button 5 until the display shows VLT.
 - The transmitter will beep six times.
2. Release Button 5.
 - The LCD panel will play a tone and the siren will chirp once if the Valet mode was set and the symbol "V" will be displayed indicating that the system is in Valet mode.
 - The transmitter will beep twice and the siren will chirp twice if the Valet mode was reset. The symbol "V" will turn off indicating that the security system is out of Valet mode.

c^o Auto Start Cold Temperature Activation Mode.

1. Press and hold Button 5 until the display shows **c^o**.
 - The transmitter will beep 7 times.
2. Release Button 5.
 - The transmitter will beep once.
 - The LCD panel will show Auto Start Cold Temperature setting.
3. Press and hold Button 5 until the display shows **CON**.
4. Release Button 5.
 - The transmitter will beep once.
 - The LCD panel will show "**ON**" indicating that Auto Start Cold Temperature Activation Mode is enabled

h^o Auto Start Hot Temperature Activation Mode.

1. Press and hold Button 5 until the display shows **h^o**.
 - The transmitter will beep 8 times.

2. Release Button 5.
 - The transmitter will beep once.
 - The LCD panel will show Auto Start Hot Temperature setting.
3. Press and hold Button 5 until the display shows **CON**.
4. Release Button 5.
 - The transmitter will beep once.
 - The LCD panel will show "**ON**" indicating that Auto Start Hot Temperature Activation Mode is enabled



System Armed indicates the doors are locked and the alarm is on.



System Disarmed indicates the doors are unlocked and the alarm is off.



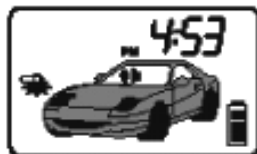
Engine Run indicates the engine is running on remote start equipped systems



Trunk Release indicates the trunk or auxiliary function has been activated.



Door Open indicates the door zone has been triggered.



Shock Sensor indicates the shock sensor has been triggered.



Warn Away indicates the warn away has been triggered.



Trunk Open indicates the trunk or hood zone has been triggered.



Alarm Clock indicates the programmable timer function has been set.



Valet Mode indicates the system has been placed into valet mode.



Battery Low indicates the battery inside the transmitter needs to be replaced.

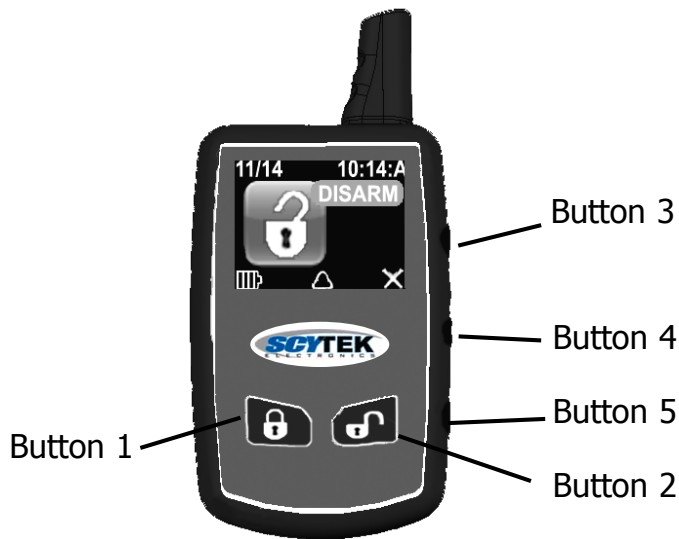


Panic indicates the panic mode has been triggered.



Auto Run indicates the automatic remote start timer has been set.

Optional Color Remote



date/engine run timer

time



Battery status	wakeup alarm enabled	autostart enabled
----------------	----------------------	-------------------

Optional 2-way Color remote transmitter is offering increased range and confirmation of any activated feature.

Page 1

Button 1 Arms and Locks* the system and when held for 3 seconds, activates the system's Panic feature. Button 1 also locks the doors when the system is in Valet Mode.

Button 2 Disarms and Unlocks* the system. Pressing Button 2 again operates the Passenger Unlock feature (if installed). **Button 2** also unlocks the doors when the system is in Valet Mode.

Button 3 Activates the Auxiliary 1 output normally used for trunk release (note trunk icon on button).

Button 4 Activates the Remote Start feature.

Button 5 is the Confirmation, Programming and the Page Shift button. Quickly pressing button 5 will activate the **Page 2 function**. Pressing button 5 for 2 seconds activates the system's confirmation feature which will then display the current status of the system (armed, disarmed, engine running, etc.).

Page 2

Button 1 Silently Arms*/Locks the system. (* press and release button 5 then press button 1)

Button 2 Silently Disarms*/Unlocks the system. (* press and release button 5 then press button 2)

Button 3 Activates the Auxiliary 2 output. (* press and release button 5 then press button 3)

Button 4 Aux 3 or Factory Rearm output. (* press and release button 5 then press button 4)

Button 5 not used

Page 3 & 4 are used as **Page 1 & 2** for second car operation

System Confirmation

The 2-way transmitter's confirmation feature allows the current vehicle status to be displayed at any time.

To display system status:

1. Press and hold Button 5 until the display shows CONFIRM.
 - The transmitter will beep once.
2. Release Button 5.
 - The transmitter will beep once.
 - The panel will display the current system status.

PAGER PARAMETERS SETTING

Press and hold Buttons 2 and 3 until pager program features are displayed.



Select pager setting by pressing buttons 1 or 2 to highlight the remote pager. Press button 3 to select the pager.

Setting Date & Time

Select Time Date setting by pressing buttons 1 or 2 to highlight the feature. Press button 3 to select it.

TIME DATE
START TIME
ALARM CLOCK
SOUND ON
BACK

Use buttons 1 & 2 to highlight the parameter you wish to change, use buttons 3 & 4 to scroll up or down to change the time or date. Save the changes by pressing button 5.

11/14	12:00P
TIME:	04:12P
DATE:	11/24

Setting AutoStart Time

Select Start Time setting by pressing buttons 1 or 2 to highlight the feature. Press button 3 to select it.

TIME DATE
START TIME
ALARM CLOCK
SOUND ON
BACK

Enable/Disable Auto Start

Select Auto Start on/off by pressing button 3.
Symbol is displayed if the Auto Start feature when enabled.

START SET
AUTO ST ON
TIME: 08:00A

Use buttons 1 & 2 to highlight the time parameter you wish to change, use buttons 3 & 4 to scroll up or down to change the time. Save the changes by pressing button 5.

START SET AUTO ST ON TIME: 08:00A

Setting Alarm Clock

Select Alarm setting by pressing buttons 1 or 2 to highlight the feature. Press button 3 to select it.

TIME DATE START TIME ALARM CLOCK SOUND ON BACK

Enable/Disable Alarm

Select Alarm Clock on/off by pressing button 3.

CLOCK ALARM ALARM ON TIME: 08:00A
--

Use buttons 1 & 2 to highlight the time parameter you wish to change, use buttons 3 & 4 to scroll up or down to change the time. Save the changes by pressing button 5.

CLOCK ALARM ALARM ON TIME: 08:00A

Symbol is displayed when Alarm Clock is enabled.

Selecting Sound/Vibration

Select Sound/Vibration setting by pressing buttons 1 or 2 to highlight the feature. Press button 3 to select it.

TIME DATE START TIME ALARM CLOCK SOUND ON BACK

Return to Previous Screen

Select Previous Screen by pressing buttons 1 or 2 to highlight the feature. Press button 3 to select it.



Press and hold Buttons 2 and 3 until pager program features are displayed.



Select system setting by pressing buttons 1 or 2 to highlight the siren. Press button 3 to select the system features.

Siren Chirp Enable/Disable

Select Siren Chirp setting by pressing buttons 1 or 2 to highlight the feature. Press button 3 to select it.



System Response

FEATURE ON

Passive Arm Enable/Disable

Select Passive Arm setting by pressing buttons 1 or 2 to highlight the feature. Press button 3 to select it.



System Response

FEATURE ON

Setting AutoStart Cold Temperature Threshold

Select Cold Temp start setting by pressing buttons 1 or 2 to highlight the feature. Press button 3 to select it.



Use buttons 3 & 4 to scroll up or down to change the temperature threshold. Save the changes by pressing button 5.



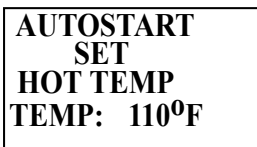
Security system response

Setting AutoStart Hot Temperature Threshold

Select Cold Temp Time setting by pressing buttons 1 or 2 to highlight the feature. Press button 3 to select it.



Use buttons 3 & 4 to scroll up or down to change the temperature threshold. Save the changes by pressing button 5.



Security system response

Synchronize System and Pager Clocks

Select Clock Sync setting by pressing buttons 1 or 2 to highlight the arrows. Press button 3 to select the pager.



Pager Clock Sync

This feature synchronizes the pager clock to the security system time of a day clock.

Select Pager Clock Sync by pressing buttons 1 or 2 to highlight the feature. Press button 3 to select it.

PGR CLK SYNC
SYS CLK SYNC
START 1 TIME
START 2 TIME
EXIT

AUTO CLOCK SET

Security system response

System Clock Sync

This feature synchronizes the system clock to the pager time of a day clock.

Select Sytem Clock Sync by pressing buttons 1 or 2 to highlight the feature. Press button 3 to select it.

PGR CLK SYNC
SYS CLK SYNC
START 1 TIME
START 2 TIME
EXIT

SYSTEM CLOCK SET

Security system response

Start Time 1

This feature sets the system Autostart 1 time.

Select Sytem Clock Sync by pressing buttons 1 or 2 to highlight the feature. Press button 3 to select it.

PGR CLK SYNC
SYS CLK SYNC
START 1 TIME
START 2 TIME
EXIT

START 1 SET SET TIME TIME: 8:00A

Use buttons 1 & 2 to highlight hours or minutes, use buttons 3 & 4 to scroll up or down to chage the time.

START 1 SET
SET TIME
TIME: 8:00A

Use buttons 1 & 2 to highlight Set Time press button 3.

AUTOSTART 1
TIME: 8:00A

The security system response.

Start Time 2

This feature sets the system Autostart 2 time.

Select System Clock Sync by pressing buttons 1 or 2 to highlight the feature. Press button 3 to select it.

PGR CLK SYNC
SYS CLK SYNC
START 1 TIME
START 2 TIME
EXIT

Use buttons 1 & 2 to highlight hours or minutes, use buttons 3 & 4 to scroll up or down to change the time.

START 2 SET
SET TIME
TIME: 8:00A

Use buttons 1 & 2 to highlight Set Time press button 3.

AUTOSTART 2
TIME: 8:00A

The security system response.

Recall Alarm History



Select Alarm History by pressing buttons 3 or 4 to highlight the clock. Press button 1 to select it.

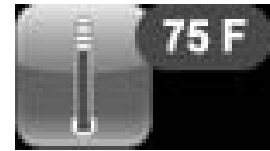
Programmable Functions using the Color Remote

Pressing and holding transmitter button 5 will scroll through several transmitter programmable options - **TEMPERATURE, ENABLE COLD START, ENABLE HOT START, VALET MODE, ENABLE AUTOSTART 1, ENABLE AUTOSTART 2.**

TEMPERATURE Check the temperature inside the vehicle

1. Press and hold Button 5 until the display shows **TEMPERATURE**
2. Release Button 5.

- The transmitter will beep four times.



ENABLE COLD START Auto Start Cold Temperature Activation Mode. (start every Two hours for up to 24 hours.

1. Press and hold Button 5 until the display shows **ENABLE COLD START.**
2. Release Button 5.

- The transmitter will beep.

- The display will show Auto Start Cold Temperature setting.

3. Press and hold Button 5 until the display shows **CONFIRM.**
4. Release Button 5.

- The transmitter will beep.

- The display will show "**FEATURE ON**" indicating that Auto Start Cold Temperature Activation Mode is enabled. System must be armed to activate cold start.



ENABLE HOT START Auto Start Cold Temperature Activation Mode.(start every Two hours for up to 24 hours.

1. Press and hold Button 5 until the display shows **ENABLE HOT START.**
2. Release Button 5.

- The transmitter will beep.

- The display will show Auto Start Cold Temperature setting.

3. Press and hold Button 5 until the display shows **CONFIRM.**
4. Release Button 5.

- The transmitter will beep.

- The display will show "**FEATURE ON**" indicating that Auto Start Cold

Temperature Activation

Mode is enabled. System must be armed to activate cold start.

VALET MODE Valet mode function sets and resets the security system valet mode.

** this function is enabled only when the system is disarmed/ unlocked.

Set or reset the Valet mode:

1. Press and hold Button 5 until the display shows **VALET** or **DISARM.**

- The transmitter will beep.

2. Release Button 5.

- The display will show VALET MODE .

· The transmitter will beep twice and the siren will chirp twice if the Valet mode was reset. The symbol.

ENABLE AUTOSTART 1, ENABLE AUTOSTART 2

1. Press and hold Button 5 until the display shows **ENABLE AUTOSTART 1** or **ENABLE AUTOSTART 2**

2. Release Button 5.

- The transmitter will beep.

- The display will show Auto Start 1 or 2 time setting.

3. Press and hold Button 5 until the display shows **CONFIRM.**

4. Release Button 5.

- The transmitter will beep.



**AUTOSTART 1
TIME: 8:00A**

**AUTOSTART 2
TIME: 5:00P**

ADDITIONAL FUNCTION

Transmitter Lockout

Press and hold buttons 2 & 4 simultaneously for 3 seconds to lockout the transmitter against accidental transmission.



Release Transmitter Lockout

Press and hold buttons 2 & 4 simultaneously for 3 seconds to release the transmitter from Lockout.



Out of Range Report

pager report if no response from the unit.



ICONS



Transmitter
Locked

Transmitter
Unlocked

Ring

Valet

Disarmed

Armed



Alarm

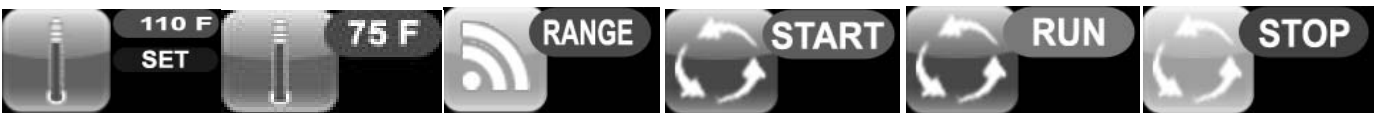
Warnaway

Alarm Sensor

Alarm Trunk

Alarm Hood

Alarm Door



Temperature
Set

Temperature
read

Engine Start

Engine Start

Engine Run

Engine Stopped

Pager Status Display

Time: time of day clock

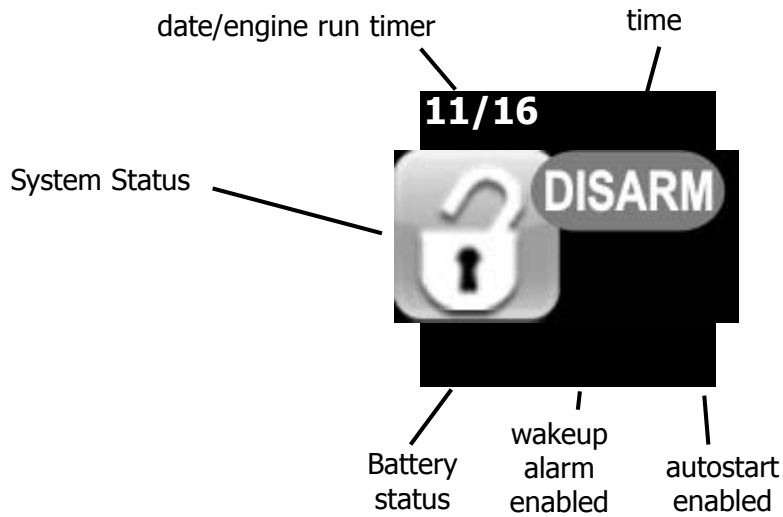
Date/Engine Run Timer: date, or engine run minute timer if remote start activated (20 min max).

Battery Status: displays remaining battery life.

Wakeup Alarm: displays Wakeup alarm enabled

Autostart: Remote Start Autostart enabled

Transmit: Pager transmission in progress



System Operation

Remote Arming/Locking

The system monitors 5 independent areas (**zones**) while armed: doors, hood/ trunk, shock sensor, optional sensor input, and the network port for future expansion.

To Arm and Lock the System:

1. Turn off the ignition.
 2. Press Button 1.
 - The siren/horn will chirp/honk once.
 - The doors will lock.
 - The parking lights will flash once.
 - The LED will turn ON, to indicate the starter defeat is activated.
 3. 10 seconds after Arming/ Locking:
 - The LED will start blinking to indicate that the doors, hood, trunk and sensor inputs are being monitored.
- * **During Arming, if the system detects a bad sensor or an open zone, the system will chirp 4 additional times and ignore that input, but keep all other areas protected.**

Once Armed, the alarm will trigger when any of the following occurs:

- **The doors are opened.**
- **The hood or trunk is opened.**
- **The shock sensor detects an impact to the vehicle.**
- **An optional sensor is disturbed.**

When the alarm triggers, the siren will sound, the horn will honk, and the parking lights will flash. If the system is triggered by the doors, hood, or trunk, the system will alarm for 45 seconds. If triggered by the sensor inputs, the system will alarm for 30 seconds.

In the event the alarm is triggered and remains triggered continuously by the same sensor or input during a single arming cycle, that sensor or input will be automatically bypassed until the next time the system is armed.

If the Shock Sensor detects a light impact to the vehicle the siren will chirp 5 times as a warning indication.

Remote Disarming/Unlocking

To Disarm and Unlock the System:

Press Button 2.

- The siren/horn will chirp/honk twice.
 - The doors will unlock.
 - The parking lights will flash twice.
 - The dome light will turn on.**
 - The LED will turn off.
- * **During Disarming, if the system was triggered while away from the vehicle, the siren will chirp 3 times and the LED will flash to indicate triggered zone. See *Tamper Alert* for zone listing.**
- ** **If the Optional Dome Light Activation feature is installed.**

Tamper Alert

If the system was triggered while away, the LED will flash to indicate which zone triggered the system after disarming and turning the ignition ON. The LED indication will repeat 8 times.

LED Flashes (60 seconds):

1 flash	=	optional sensor
2 flashes	=	shock sensor
3 flashes	=	network based sensor
4 flashes	=	door
6 flashes	=	hood/trunk

example: flash-flash-pause-flash-flash-pause = shock sensor

Silent Arming/Disarming

The Galaxy 5000/2000RS-DBP Series system can be programmed to operate the system without Arm/Lock and Disarm/Unlock chirp/honk confirmations. When programmed for full-time silent operation, the siren will sound only when the system is triggered.

The system is also capable of temporary silent operation if desired. Pressing the Shift button before Arming/Locking or Disarming/Unlocking, the system will bypass the chirp/honk confirmations and allow one-time silent operation.

Note: The open zone warning chirps will not be bypassed when the system is Armed or Disarmed silently.*

Passive Arming

When programmed for the optional Passive Arming feature, the system arms itself automatically, each time the ignition is turned off and all of the doors, hood, and trunk are closed.

To start the Passive Arming Process:

1. Turn off the ignition.**
2. Open the door and exit the vehicle.
 - Once all doors are closed and the dome light is off, the LED will begin flashing rapidly.
 - The parking lights will flash twice indicating the Passive Arming sequence has begun.
3. After 30 seconds,
 - The siren will chirp.
 - The parking lights will flash.
 - The doors will lock.***
 - The status LED will begin flashing.
4. The system is now armed.

**** The ignition must have been on for *at least 5 seconds***

**** * If the Passive Locking feature is selected.**

Panic Mode

In the event of an emergency, the transmitter's remote Panic feature can be used to instantly trigger the alarm/panic feature.

To activate the Panic Mode:

1. Press and hold Button 1 for five seconds.
 - The alarm will sound.
 - The parking lights will flash.
 - The doors will unlock** allowing access to the vehicle.
2. Press Button 1 or 2 to stop Panic Mode.

****If the ignition is on when the Panic feature is activated, the doors will lock for personal safety.**

If not deactivated using Buttons 1 or 2, the Panic Mode will automatically exit after 30 seconds and the system will be restored to its previous Armed/Lock or Disarmed/Unlocked state.

**** Emergency Override***

If the transmitter becomes lost or inoperable, the system can still be disarmed using the following procedure. Before beginning this procedure be sure to have the ignition key ready and know the location of the override switch.

To Emergency Override the system:

1. Unlock the door using the key.
2. Enter the vehicle.
 - The system will trigger and the siren will sound.
3. Turn the ignition key to the ON position.
4. Press and hold the override switch until the alarm turns off (approximately 10sec)
 - The system will disarm.
5. The vehicle will now be able to start.

Optional Coded Emergency Override

As an extra measure of security, the Galaxy 5000/2000RS-DBP Series is equipped with an optional Coded Emergency Override feature. Once an Emergency Override Code is chosen and programmed during installation, the system can no longer be disarmed using the standard override procedure.

To Emergency Override the system using the Code:

1. Follow steps 1-3 above.
2. Press the override switch a number of times equal to the Disarm code of you have chosen, and continue holding for 10 seconds on the last press.
 - The system will disarm. If the code is entered incorrectly, turn off the ignition and begin again.

To set the Emergency Override Code:

1. Turn the ignition switch to the ON position.
2. Within 5 seconds, press the valet switch 5 times.
 - The siren will provide one long chirp indicating that you have entered Programming.

3. Press the valet switch 4 times.
 - The siren will chirp each time the valet switch is pressed.
4. Within 5 seconds, press Button 3 on the transmitter.
 - The siren will chirp 3 times.
5. Press the valet switch the number of times equal to the desired code (from 1-15).
6. Turn off the ignition then arm the system.
7. Disarm the system using the new Override Code to permanently store the new code.

Note: If the code set procedure is not properly performed, turn off the ignition and begin again. The override code will not be permanently stored until the code is used to disarm the system.

Automatic Rearming

The Automatic Rearming feature is designed to protect the vehicle in the event the system is accidentally disarmed. With the Automatic Rearming feature enabled, the alarm will automatically rearm and lock 30 seconds after disarming. Automatic Rearming feature will be temporarily bypassed until the next arming cycle if the ignition is turned on.

Valet Mode

The Valet Mode temporarily disables the Security and/or Remote Start System so that the vehicle may be operated by a mechanic or parking attendant.

To activate the Valet Mode:

1. Turn the ignition switch to the ON position.
2. Press and hold the override switch for 5 seconds.
 - The siren/horn will chirp/honk once and the LED light will stay ON to confirm the Valet Mode is on.
3. Repeat steps 1 and 2 to deactivate the Valet Mode.
 - The siren/horn will chirp/honk twice and the LED light will turn off to confirm the Valet Mode is off.
4. Turn off the ignition.

While in Valet Mode the remote transmitters will continue to lock and unlock the doors, and operate the optional auxiliary functions.

DRIVER CALLING/PAGE FEATURE

The Galaxy 5000/2000RS-DBP Series is equipped with a driver calling or paging feature that allows the system to send a page to the LCD transmitter in the event the transmitter has been misplaced or lost (must be within 1500 feet)

To activate the DRIVER CALLING/PAGE feature:

1. Locate the Call/Valet/Emergency Override button in your vehicle.
 - With the ignition switch OFF, press and hold the Call/Valet/Emergency override button for 2 seconds, then release.
 - The LCD transmitter will beep continually and the "DRIVER CALLING" icon will appear.
 - Press and release button 5 to turn off transmitter page.

Remote Start Features

Remote Starting

To Remote Start the System:

1. Be sure the system is not in Valet Mode.
2. Press and hold Button 4 for three seconds.
 - The parking lights will flash 4 times and turn on.
 - The siren/horn will chirp/honk 4 times. (if enabled, see page 23 branch 9)
 - The engine will start and run for the duration of its programmed Run Time.**
 - The heater or air conditioner will turn on (if turned on prior to exiting the vehicle).

****If the engine fails to start on the first attempt, it will repeat the starting procedure 2 more times. If the vehicle fails to start after a total of 3 times the parking lights will flash 4 times and the doors will lock (if installed).**

Turn on the ignition and press the brake pedal to disengage the remote start feature and drive the vehicle.

Shut Down

When the the Remote Start feature is active, any of the following actions will shut down the engine:

1. Pressing Button 4.
 - After the engine shuts down the doors will lock **(if the optional keyless entry feature is installed)**.
2. Pressing the Brake Pedal.
3. Opening the Hood.
4. Remote Start Time-Out (completion of the timed run cycle).

Quick Stop

The Quick Stop Feature allows you to exit the vehicle while keeping the engine running for quick stops.

To leave the vehicle running:

2. While the engine is running push the Remote Start button on the Remote Transmitter.
 - The parking lights will turn On.
4. Remove the key from the ignition switch.
5. You may now exit the vehicle and lock the doors manually or by using the Remote Transmitter

To resume control of the vehicle:

1. Unlock the doors manually or by pressing the Disarm/Unlock Button on the Remote Transmitter.
2. Turn on the ignition.
3. Press the Brake Pedal to disengage the remote start.
 - The parking lights will turn Off.

Automatic Start Mode

Automatic Start feature has three modes that will start the vehicle every one or two hours within a 24 hour period.

1. **Timer Only Mode (factory default)**

The Automatic Start feature starts the vehicle automatically every one or two hours and runs for the preset Run Time. (15 or 25 min)

Auto Start on Timer Mode:

1. Turn Ignition switch Off and wait for 3 seconds.
2. Turn Ignition switch On and Off three times ending with Ignition in Off position
3. Press the Valet switch immediately after.
parking lights will flash indicating that the Auto Start mode has been activated.

2. **Low Temperature Start Mode****

The Automatic Start feature starts the vehicle automatically for a preset Run Time every one or two hours if the temperature in the vehicle drops below the preset value (factory default -15°F).

3. **High Temperature Start Mode****

The Automatic Start feature starts the vehicle automatically for a preset Run Time every one or two hours if the temperature in the vehicle exceeds the preset value (factory default 138°F).

**** See the 2-way LCD Remote Transmitter section** for Auto Start Cold or Hot Temperature Activation.

To disable Auto Start function

Do one of the following:

- Turn ignition On.
- Arm/Lock and then Disarm/Unlock the system.
- Alarm or Panic the system.

Turbo Timer Feature

The optional Turbo Timer feature allows vehicles with turbocharged engines to remain running after the ignition key is removed, for proper cool-down of the turbocharger. The Turbo Timer feature requires connection to the vehicle's parking brake wire.

To activate the Turbo Timer feature:

1. Leave the engine running after parking the vehicle.
2. Set the vehicle's parking brake.
 - The Turbo Timer will begin a two-minute run cycle to allow the turbocharger to cool down.
3. Turn OFF the ignition and exit the vehicle.

To deactivate the Turbo Timer feature:

1. Press and hold the brake pedal.
2. Release the emergency/parking brake.
3. Re-apply the vehicle's parking brake.
 - The Turbo Timer countdown will automatically stop and the engine will shutdown.

WARNING: the Turbo Timer feature is not intended for use inside garages or other non-ventilated areas. Make sure to deactivate the Turbo Timer feature when parking in such areas.

Manual Transmission Remote Start Features

Model: Galaxy 5000/2000RS-DBP-M

- 1- Tach wire must be connected , The system must learn RPM.
- 2- Hand brake must be connected.
- 3- Door trigger must be connected
- 4- Clutch override installed **NOTE: MUST USE RELAY, SEE PAGE 26.**

Remote Starting

With engine running and Hand-brake engaged put the vehicle transmission in neutral and remove the foot from the brake pedal, press the remote start button on your transmitter, parking lights will flash twice indicating Manual Start Mode is enabled, turn off the Ignition switch, the engine will remain running. Open and close the door, the system will shut the engine Off. Using the remote Control, Arm/Lock the vehicle. Vehicle is now ready for remote start operation.

Starter Ready Mode is canceled any time the door is opened; hand brake is released or any other error condition.

To Remote Start the System:

1. Be sure the system is not in Valet Mode.
2. Press and hold Button 4 for three seconds.
 - The parking lights will turn on.
 - The LED will flash rapidly.
 - The engine will start and run for the duration of its programmed Run Time.**
 - The heater or air conditioner will turn on (if turned on prior to exiting the vehicle).

****If the engine fails to start on the first attempt, it will repeat the starting procedure 2 more times. If the vehicle fails to start after a total of 3 times the parking lights will flash 4 times and the doors will lock (if installed).**

Turn on the ignition and press the brake pedal to disengage the remote start feature and drive the vehicle.

Shut Down

When the the Remote Start feature is active, any of the following actions will shutdown the engine:

1. Pressing Button 4.
 - After the engine shuts down the doors will lock (if installed).
2. Pressing the Brake Pedal.
3. Opening the Hood. (*safety switch must be installed*)
4. Remote Start Time-Out (completion of the timed run cycle).
5. Emergency Brake Off.

Extended Features

Ignition Door Locking

For added safety, the Ignition Door Locking feature allows vehicles equipped with power door lock systems to automatically lock the doors when the ignition is turned on. If a door is open when the ignition is turned on, the Ignition Door Locking feature is disabled to protect against locking the keys inside the vehicle. If RPM is selected Doors will lock when engine RPM exceed 2.5 times the idle.(tach wire must be connected)

Ignition Door Unlocking

For added convenience, this feature automatically unlocks the doors after the ignition key is turned off. If the optional Passenger Unlock feature is installed, the Ignition Door Unlocking feature can be programmed to unlock only the driver door as a higher measure of safety, especially when children are present. The Ignition Door Unlocking feature may also be completely disabled if desired.

Dome Light Activation

If the optional Dome Light Activation feature is installed, the dome light will turn on when the system is disarmed using the Remote Transmitter, and remain on for 30 seconds or until the ignition is turned On.

Auxiliary Function Outputs

The Galaxy 5000/2000RS-DBP Series system is equipped with 3 Auxiliary Channel Outputs allowing the convenience features of the system to be further expanded. Aux-2 output can be programmed for pulsed, timed, or latched operation and used to add a number of optional features such as: power trunk release, power window activation, power sunroof control, auxiliary lighting, audio/video system control, and more.

The **Pulsed** operation setting allows an output to activate as long as the button is held.(1-way remote only)

The **Timed** operation setting allows an output to activate when the transmitter button is pressed, and remain activated for 10 seconds or until the transmitter button is pressed again.

Note: With the optional ScyNet network interface and Wizard software, the timed output can be programmed for any time between 1 second and 255 seconds.

The **Latched** operation setting allows an output to activate when the transmitter button is pressed, and remain activated until the transmitter button is pressed again.

Disarm with Auxiliary Function

If the Auxiliary 1 option is installed to activate the vehicle's trunk release, the system can be programmed to automatically disarm the alarm when the trunk is opened using the transmitter. In this manner, the trunk can be accessed without first disarming the alarm.

Remote Sensor Disable

When parking the vehicle in areas susceptible to unwanted disturbance from animals or strong weather conditions that could cause the sensors to trigger, the sensor inputs can be temporarily bypassed using the Remote Transmitter, preventing possible false alarms.

To disable the sensor inputs :

1. Arm the system normally.
2. Within 5 seconds of Arming the system, press the Arm button again.
 - The siren will chirp 5 times and the parking lights will flash 5 times to indicate the sensors are disabled.
 - The sensors will remain disabled until the next arming cycle.

System Installation

1. Thoroughly read and become familiar with the installation instructions before beginning the installation.
2. Review system contents:
 - Main Unit
 - 1 or 2 One-way 5 Button Remote Transmitters (varies by model)
 - 1 or 2 Two-way 5 Button LCD Remote Transmitters (varies by model)
 - Siren
 - Shock Sensor
 - Harnesses
 - 6-Pin starter harness
 - 20-Pin main harness
 - 4-Pin shock sensor harness
 - 3-Pin door lock harness
 - LED harness
 - Override Switch harness
 - 5 Pin antenna harness
3. Verify vehicle is equipped with electronic fuel injection, and starts/idles normally before installation.
4. Determine if vehicle is equipped with a factory theft deterrent system and obtain proper bypass module if required.
5. Find a location to mount the hood pin switch that will not interfere with the opening of the hood, and is not in a position that can accumulate water. **The hood pin is a safety device that must be installed to avoid remote starting during engine servicing.**
6. Verify with the owner, the mounting locations for all visible components, including the LED and Override switch.
7. Verify with the owner, the optional features of the Galaxy 5000/2000RS-DBP Series and the features that must be programmed during installation.
8. Inspect and perform a function test of all vehicle systems before and after the installation.
9. Always use a Volt / Ohm meter for testing vehicle circuits. Never use a test light.
10. Always look before drilling any holes or mounting self-tapping screws. Be sure fuel lines and exterior wiring looms are clear as they are often close to the chassis and difficult to see.
11. Protect all wires running from the engine compartment to the interior of the vehicle by covering with electrical tape and split loom tubing. Be sure to use a grommet when routing wires through the firewall.
12. Properly fuse any additional accessories such as window modules, door lock actuators, etc., making sure to power them separate from the alarm module. This will ensure the functionality of the security system in the event of an accessory failure.

Mounting the Control Unit

The control unit must only be mounted in the interior of the vehicle. Do not mount the main unit in the engine compartment. Choose a mounting location that will not be easily accessible to a thief, and will not interfere with the operation of any vehicle components such as foot pedals, steering column, air vents, seat rails, etc.

Do not mount the control unit until after setting the internal jumpers and performing a complete operation check of the system. After installation is complete and performance verified, the control unit can be easily mounted using wire ties through the mounting tabs on the bottom of the unit.

Mounting the Siren

Choose a siren mounting location that is away from heat sources such as exhaust manifolds, and where it cannot be easily accessed from underneath the vehicle. Be sure to face the siren downward to prevent the collection of water in the siren's housing.

Always route all wires from the engine compartment into the interior of the vehicle through a proper grommet.

Mounting the Shock Sensor

Choose a suitable interior mounting location for the shock sensor that provides ample coverage of the vehicle. Keep the sensor away from the vehicle's ECM or other sources of electrical interference. Suggested mounting locations include air conditioning ducts, dashboard braces, or center console supports.

During proper operation, the shock sensor will detect impacts to the vehicle only and will not usually be triggered by slow rocking movements of the vehicle like those caused by wind.

System Wiring

6-Pin Starter Harness

- Pin 1 **RED WIRE A:** Main Power Input A (+). Connect to the battery or constant power wire at the ignition switch with a minimum 25 Amp supply. Remove the fuse until the installation is complete and all wiring is checked.
- Pin 2 **RED WIRE B:** Main Power Input B (+). Connect to the battery or constant power wire at the ignition switch with a minimum 25A supply. Note: if connecting at the ignition switch it is highly recommended to use separate power wires for each Red wire, each with a minimum 25A supply. Remove the fuse until the installation is completed and all wiring is checked.
- Pin 3 **BROWN WIRE:** Second Ignition Output (+). The Brown wire provides +12V for a second ignition wire. This wire may instead be programmed for use as a second accessory or second starter wire.
- Pin 4 **ORANGE WIRE:** Accessory Output (+). Connect to the accessory wire coming from the ignition switch that supplies power to the heater/air-conditioner. Some cars may have multiple accessory wires.
- Pin 5 **YELLOW WIRE:** Ignition Output (+) And Input . Connect to the main ignition wire that provides +12V when the ignition is on and while cranking the starter. This wire also acts as an ignition input.
- Pin 6 **VIOLET WIRE:** Starter Output (+). Connect to the the vehicle's starter wire.

20-Pin Main Harness

- Pin 1 **GREEN/WHITE WIRE:** Brake Input (+). Connect to the wire that shows +12V when pressing the brake. The Green/white wire is a safety shutdown wire that **must be connected.**
- Pin 2 **BLACK/GRAY WIRE:** Tach Input. Connect to the vehicle's tach wire or a fuel injector wire if the tachless mode does not provide satisfactory operation.
- Pin 3 **WHITE/RED WIRE:** Auxiliary 2 Output (-) 500 mA. Connect to a relay or module for an optional feature such as power window activation, etc. This output may be programmed for momentary, timed, or latched operation.
- Pin 4 **BLACK/WHITE WIRE:** Dome Light Output (-) 500 mA. Connect to the wire that activates the vehicle's dome light, usually the door pin switch wire (see Green and Violet door trigger wires). **Note: MUST USE RELAY(see page 26)**
- Pin 5 **YELLOW WIRE:** Not Used, DBP Models do not require this wire to be used.
- Pin 6 **BLUE/YELLOW WIRE:** Glow Plug Input (+). For vehicles equipped with diesel engines the Blue/yellow wire must be connected to the wait-to-start light in the gauge panel. This wire will show +12V when the light is on, and ground when the light turns off. If the wait-to-start wire shows ground when the light is on, a relay must be installed (see wiring diagrams).
- Pin 7 **BLUE/WHITE WIRE:** Passenger Unlock Output (-) 500 mA. Connect to a relay to unlock the passenger doors when the system is configured for Driver Priority Unlocking.
- Pin 8 **BLUE/ORANGE WIRE:** Ground When Running Output (-) 500 mA. Connect to an optional factory security bypass module if required **Or to a clutch switch bypass relay pin#86 for manual transmissions**
- Pin 9 **BLACK WIRE:** Ground Input (-). The Black wire must connect to a solid chassis ground. Clean away any paint or dirt to insure the best possible ground.
- Pin 10 **RED WIRE:** Module Power Input (+). Connect to a constant source of +12V.
- Pin 11 **VIOLET WIRE:** Positive Door Input (+). Connect to the door switch circuit wire that shows +12V when the door is open. This type of door circuit is usually found on Ford vehicles.

- Pin 12 **GREEN WIRE:** Negative Door Input (-). Connect to the door switch circuit wire that shows ground when the door is open.
- Pin 13 **WHITE/BLACK WIRE:** Hood/Trunk Pin Input (-). Connect the to the hood/trunk pin switch. The switch must provide a ground output when switch is opened.
- Pin 14 **ORANGE WIRE:** Armed Output (-) 500 mA. The Orange wire provides a ground output while armed to activate a relay for starter defeat and anti-grind protection or window rollup module.
- Pin 15 **VIOLET/WHITE WIRE:** Factory Disarm Output (-) 500 mA. The Violet/white wire provides a ground output on disarming and before remote starting to disarm a factory security system. Connect to the wire that requires a ground pulse to disarm the factory security system.
- Pin 16 **WHITE/VIOLET WIRE:** Auxiliary 3 / Factory Rearm Output / Ignition 3,(-) 500 mA. Programmable Factory Rearm Output: provides a ground output on remote start shutdown to rearm a factory security system. Connect to the wire that requires a ground pulse to rearm the factory security system.
- Pin 17 **BROWN WIRE:** Siren Output (+) 3A. The Brown wire must connect to the siren's red wire. The Black siren wire must be grounded.
- Pin 18 **GRAY WIRE:** Auxiliary 1 Output (-) 500 mA. Connect to a relay for an optional feature such as trunk release, etc. *This output may be programmed for momentary, timed, or latched operation.**
- Pin 19 **WHITE WIRE:** Parking Light Output (+/-) relay. Connect the White wire to the circuit that shows +12V or ground only when the parking lights are on and set the internal parking light relay jumper to the proper polarity. For parking light circuits exceeding 10 amps, a relay is required. For vehicle's with independent left and right parking light circuits, diodes must be installed to keep the circuits separate. NOTE: Do not connect the WHITE wire directly to the vehicle's headlight circuit.
- Pin 20 **BROWN/WHITE WIRE:** Horn Output (-) 500 mA. Connect to a relay to activate the vehicle's horn when the alarm is triggered. This wire may instead be programmed as an ignition 3 relay trigger.

Plug-in Connectors

4-Pin White Connector: Dual stage shock sensor port.(Can Also be used for optional Sensor, Radar, Glass, etc)

- WHITE WIRE: (-)Warn-Away Input For Optional Sensor. (2000RS, Three (-) pulse starts and shuts off engine)
- BLUE WIRE: (-)Trigger Input For Optional Sensor.
- RED WIRE: (+) 12 volt Output For Optional Sensor.
- BLACK WIRE: (-) Ground Output For Optional Sensor.

2-Pin Blue Connector: Valet switch port.Mount program switch in an area that is easily accessible from the driver's position.

2-Pin Red Connector: LED port. Mount LED in an area where it may be easily seen from either side of the vehicle.

3-Pin White Door Lock Connector: Door lock port.

- BLUE WIRE - negative unlock output (-) 500mA.
- GREEN WIRE - negative lock output (-) 500mA.

3-Pin Blue Connector: The plug-in network connector port is located on the side of the main module. This network port may be used with the optional personal computer interface or Pocket PC for diagnostics, software customization and expanded programming options. The network also offers connection to several optional accessories. *See your dealer for more information.*

2-Pin White Connector: Located on the side of the main module.

- Green WIRE - Parking Brake Input (-) For Manual Transmission and/or vehicles equipped with a turbo charged engine. Must be connected if using the Turbo Timer feature and/or Manual Transmission remote start feature.
- Blue WIRE -
Turbo Timer cancel input for Manual transmission systems in Turbo Timer mode.
(this feature allows the the turbo timer feature to be temporarily canceled for remote start applications on manual transmission vehicles) A seperate push button switch wired to GROUND is needed.

To temporarily bypass the turbo timer in order to perform the remote start procedure for manual transmissions:

With the engine running, apply the parking brake then push the remote start button on transmitter, lights will flash twice. Turn off the ignition, the engine will stay running. Now push and release the button on the push switch, the siren will chirp once. The Turbo Timer feature is now canceled. Open and close the door, engine will shut down. Vehicle is now ready for remote start.

4-Pin White DBP Connector: The plug-in DBP connector port is located on the side of the main module.

This DBP port may be used with the optional bypass modules for data bus interface.

Jumper Selection

Carefully separate the top and bottom halves of the main unit case. Once the cover is removed, the parking

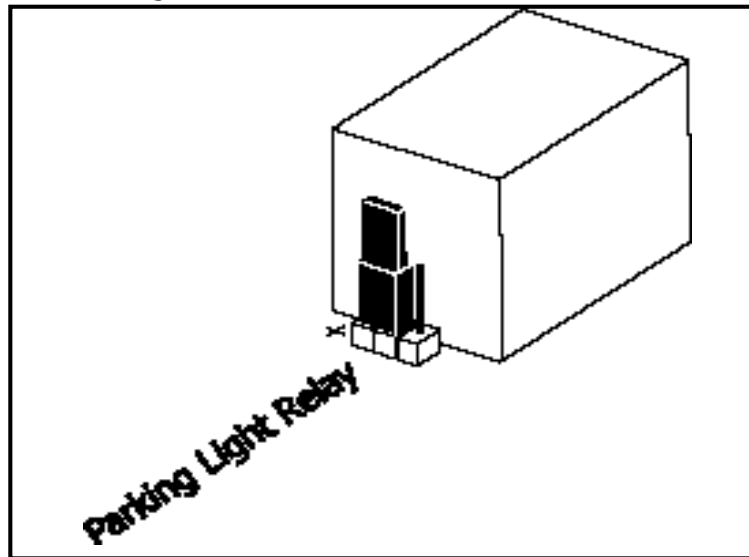
Jumper Settings

light polarity jumper will be visible next to the parking light relay. Set the jumper for the correct polarity output as described below, then reassemble the main unit case.

Parking Light Output. Selects the polarity (+/-) for the output of the on-board Parking Light relay.

Left Pin + Center Pin = positive (Default setting is (+)

Right Pin + Center Pin = negative



default setting shown

System Programming

Entering System Programming

This system is compatible with both the LCD two way transmitter or the standard transmitter, all system programming can be performed using either one.

To enter System Programming:

1. Turn the ignition switch to the ON position.
2. Within 5 seconds, press the valet switch 5 times.
 - The siren/horn will provide three chirps/honks, indicating that you have entered Programming.
3. Press the valet switch the number times equal to the System Parameter you want to change.
 - The siren/horn will chirp/honk each time the valet switch is pressed.
4. Within 5 seconds, press the transmitter button corresponding to the desired operating mode for that System Parameter.
 - The siren/horn will chirp/honk to indicate the setting.

1 chirp/honk	=	Button 1
2 chirps/honks	=	Button 2
3 chirps/honks	=	Button 3
5. When you are finished, turn off the ignition to save the changes.

Default Reset

Following this procedure will set all System Programming Parameters to factory default settings.

1. Enter System Programming.
2. Press Transmitter Button 3.
 - The siren/horn will chirp/honk 6 times indicating that the reset signal was received.
 - All System Programming parameters are now set to factory default settings.
 - The Valet Mode is off.
3. Turn off ignition.

Programmable System Options

The following is a description of the programming options of the system. Some of the program branches control more than one option, and may require accessing a particular branch number twice in order to program all desired features.

1. **Arm Mode.** Selects between Manual and Passive Arming.
2. **Auto Rearming Mode.** When selected, the system will automatically re-arm 30 seconds after it is disarmed .
3. **Arming Chirps.** Selects between normal and silent operation.
4. **Ignition Door Locking / Override Code Set.** This dual program branch selects Ignition Door Locking, and programs the optional Emergency Override Code.

Ignition Door Locking. Selects whether or not the system will automatically lock the doors 10 seconds after the ignition key is turned on.

Override Code Set. Changes the Emergency Override Code for a higher level of security.

Programming Branch Table

Branch	Feature	Button 1 (default)	Button 2	Button 3
1.	Arm Mode	Manual Arming	Passive Arming	
2.	Auto Rearming Mode	Disabled	Enabled	
3.	Arming Chirps	Siren Chirps On	Siren & Horn Chirps On	Silent
4.	Ignition Door Locking	On	Off	Set Override Code
5.	Ignition Door Unlocking	Unlock All	Unlock Driver Only	Off
6.	Door Unlock Pulse	Single	Double	
7.	Door Lock Pulse Length	1 second	3 seconds	0.1 seconds
8.	Passive Door Locking	Disabled	Enabled	
9.	Start Confirmation Chirps	Disabled	Enabled	Enable Auxiliary Start Activation
10.	Ignore Open Door Report	Off	Ignore	
11.	Aux 1 Mode	Pulsed	Timed	Latched
12.	Aux 2 Mode	Pulsed	Timed	Latched
13.	Aux 3 Mode	Pulsed	Timed	Latched
14.	Disarm with Aux 1	Disabled	Enabled	
15.	Aux 2 Activate on Arm	Off	On	
16.	Aux 3 Output Mode	Aux 3 Output	Factory Rearm Output	Ignition 3 Output
17.	Lock after Start	On	Off	
18.	Lock after Shutdown	On	Off	
19.	Engine Run Time	15 minutes	25 minutes	
20.	Automatic Start Mode	2 hours	1 hours	Disable Start Time 1 & 2
21.	Smart Start Crank Time	Normal	Extended	Super Extended
22.	Smart Start Temp. Comp.	Enabled	Disabled	
23.	Engine Sense Mode	Smart Start	Smart Start Monitor Off	DataBus RPM Sense
24.	Remote Start Program	RPM Learn/Tach Monitor	Gas Engine	Diesel Engine
25.	Ignition 2 Output Program	Ignition 2 Output	Accessory 2 Output	Starter 2 Output
26.	Wait to Start Input	Positive	Negative	
27.	External Sensor Mode	Sensor 2	External Start	
28.	Siren Mode	Standard	MP Siren	
29.	Turbo Timer	Disabled	Enabled	
30.	Extended Parking Lights	On	Off	
31.	Warn-Away Report	Enabled	Disabled	
32.	CarJack	Mode 1	Mode 2	Mode 3
33.	CarJack	Disabled	Enabled	
34.	DataBus Trigger Inputs	Enable	Disable	
35.	Galaxy System Mode	Galaxy 5000RS	Galaxy 2000RS	

5. **Ignition Door Unlocking.** Selects whether or not the system automatically unlocks the doors when the ignition is turned off. The Ignition Door Locking feature may be programmed to unlock all doors or the driver's door only. If driver's door only is selected, the optional Passenger Unlock wire must be connected. (See *Two Stage Door Lock Diagrams*)

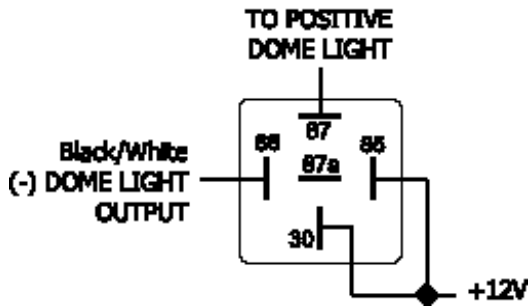
6. **Door Unlock Pulse.** Selects between one pulse or two pulse operation for the door unlock output. Many new import vehicles' factory door locking systems require two pulses on the proper wire to unlock the doors. These systems can be interfaced directly without the use of relays or any additional circuitry by programming the system for double unlock pulse.
7. **Door Lock Pulse Length.** Selects between a 1, 3 or 0.1 seconds output for door locking and unlocking. Program to 3 seconds for vehicles equipped with vacuum door locking systems.
8. **Passive Door Locking.** Selects whether or not the system will automatically lock the doors during Passive Arming and Auto Rearming mode.
9. **Remote Start Confirmation Chirps.** When enabled, system chirps before starter activated. When disabled, no chirps will sound upon start.
Enable Auxiliary Start Activation. Enable to use the axillary start feature.
10. **Ignore Open Door Report.** Bypasses the open zone warning chirps for vehicles equipped with a residual dome light circuit that remains on for a period of time after closing the door.
11. **Auxiliary 1 Mode.** Selects from momentary, 10 second timed, or latched operation for Auxiliary 1.
 Momentary operation provides an output for as long as the transmitter button is pressed.(1-way remote only)
 Timed operation provides an output that turns on for 10 seconds each time the transmitter button is pressed. If the button is pressed again during the 30 seconds, the output will turn off.
 Latched operation provides an output that turns on when the transmitter button is pressed and remains on until the transmitter button is pressed again.
 Note: With the optional ScyNet network interface and Wizard software, any auxiliary function can be programmed to output for 1 second up to 255 seconds.
12. **Auxiliary 2 Mode.** Selects from momentary, 10 second timed, or latched operation for Auxiliary 2.
 Momentary operation provides an output for as long as the transmitter button is pressed.(1-way remote only)
 Timed operation provides an output that turns on for 10 seconds each time the transmitter button is pressed. If the button is pressed again during the 30 seconds, the output will turn off.
 Latched operation provides an output that turns on when the transmitter button is pressed and remains on until the transmitter button is pressed again.
 Note: With the optional ScyNet network interface and Wizard software, any auxiliary function can be programmed to output for 1 second up to 255 seconds.
13. **Auxiliary 3 Mode.** Selects from momentary, 10 second timed, or latched operation for Auxiliary 3.
 Momentary operation provides an output for as long as the transmitter button is pressed.(1-way remote only)
 Timed operation provides an output that turns on for 10 seconds each time the transmitter button is pressed. If the button is pressed again during the 30 seconds, the output will turn off.
 Latched operation provides an output that turns on when the transmitter button is pressed and remains on until the transmitter button is pressed again.
 Note: With the optional ScyNet network interface and Wizard software, any auxiliary function can be programmed to output for 1 second up to 255 seconds.
14. **Disarm with Auxiliary 1.** When selected, activating the Auxiliary 1 output (usually used to open the trunk) will disarm the alarm the system.
15. **Aux 2 Auto Activate with Arm.** When selected, the Auxiliary 2 output will activate when the system is armed. This feature can be used to roll-up windows, close sunroofs, activate accessories, etc. (**will not activate if Aux 2 is set to "latched"**)

16. **Auxiliary 3 Output Mode.** Selects between Channel 3, Factory Rearm output, or third Ignition output.
17. **Lock After Start.** When selected, the doors will automatically lock after remote starting.
Using button 3 disabled Mp Siren Mode.
18. **Lock After Shutdown.** When selected, the doors will automatically lock after remote shutdown.
19. **Engine Run Time.** Selects between 15 or 25 minutes for the remote start run cycle.
20. **Automatic Start Mode.** Selects between every two hours or every one hour for the automatic engine starting feature.
Disable Start Time 1 & 2. Disables unit internal Start Time 1 & Start Time 2.
21. **Tachless Sense Crank Time.** Selecting engine crank time automatically selects the tachless mode and one of three crank times.
If the normal engine crank time is too short increase the time by selecting one of the two additional extended crank time options.
Normal - 0.8Sec.
Extended - 1.0Sec.
Super Extended - 1.4Sec.
Tachless Mode. Determines the engine status using an advanced software routine, without requiring connection to the vehicle's tachometer. Tachless operation may not be compatible with some vehicles or in severe temperatures, in which case the tach wire must be connected.
22. **Smart Start Temperature Compansation.** adjusts crank time to compansate for temperature variations.
23. **Engine Sense Mode.** Enable or disable smart sense monitor, or select DataBus RPM sense.
DataBus RPM sense - start the engine, enter Branch 23, Press Button 3 to learn the vehicle's tach signal. **The siren will chirp three times to confirm that the tach signal was learned. If the tach signal was not learned the siren will chirp once.**
24. **RPM Learn/Tach Monitor** This dual program branch sets the engine mode for Gas or Diesel, and learns the vehicle's RPM threshold. For installation into a diesel equipped vehicle, first set the engine type to diesel before learning RPM.
RPM Learn/Tach Monitor. start the engine, enter Branch 21, the LED light will flash continuously to indicate it is reading the tach signal. Press Button 1 to learn the vehicle's tach signal. The siren will chirp and the LED will flash once to confirm learning of the tach signal. The siren will chirp four times and the LED will flash four times if the tach signal was not learned.
Tach Monitor mode: monitors the vehicle's tach wire (or a fuel injection wire) in real-time to determine engine status and adjust starter crank time automatically.
Gas Engine. Sets the engine type for Gasoline.
Diesel Engine. Sets the engine type for Diesel and monitors the glow plug input to make sure the glow plugs are warm before cranking the starter. If the glow plug wire is not connected, the built-in timer waits 15 seconds before automatically cranking the starter.
25. **Ignition 2 Relay Program.** Selects one of three operating modes for the Ignition 2 relay output: Ignition 2, Accessory 2, or Starter 2.
26. **Wait to Start Polarity input.** Select positive or negative wait to start input.
27. **External Sensor Mode.** Select sensor-2 input as an additional sensor input, or an external start trigger.

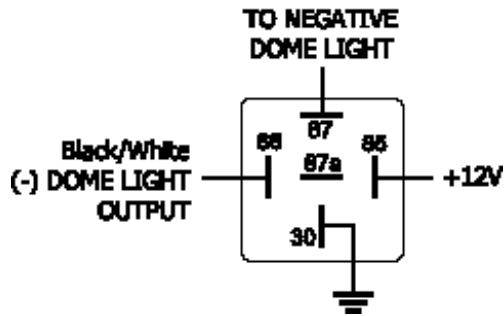
28. **Siren Mode.** Selects standard siren (default) or MP Player Siren.
29. **Turbo Timer.** When enabled, if the emergency brake has been applied Ignition power will be kept On for a predetermined time (2 minutes Factory Default) from the application of the emergency brake.
30. **Extended Parking Lights.** When Enabled, upon Disarming Parking lights will turn On for 30 seconds
31. **Warn-Away Pager Report.** When Enabled, Warn-Away report will be sent to the pager. If Disabled no Warn-Away report will be sent to the pager.
32. **Anti-Carjack Type.** Selects one of three modes for Anti-Carjacking: Active, Passive, or Full-Time.
Manual. When selected, pressing Button 4 will automatically engage the Anti-Carjacking feature.
Passive. When selected, the Anti-Carjacking feature will activate whenever a door is opened while the ignition is on.
Full-Time. When selected, the Anti-Carjacking feature will automatically activate each time the ignition is turned on.
33. **Anti-Carjack Mode.** Enables Anti-Carjacking protection.
34. **DataBus Trigger Inputs.** Enable
35. **Galaxy System Mode:** Selects between Galaxy 5000RS Series or Galaxy 2000RS Series.
Factory Default does not affect this setting.

Relay Diagrams

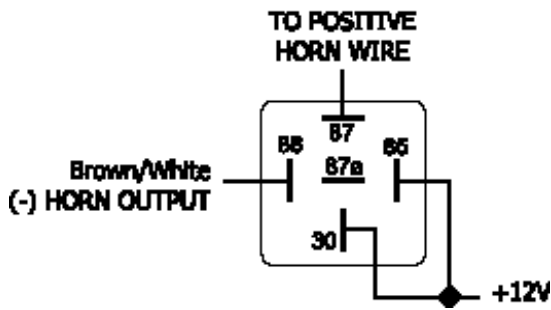
Positive Dome Light Activation



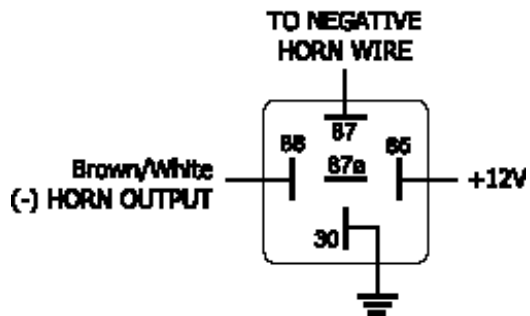
Negative Dome Light Activation



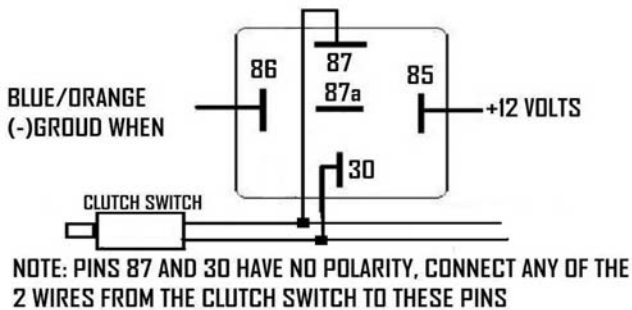
Positive Horn Honk



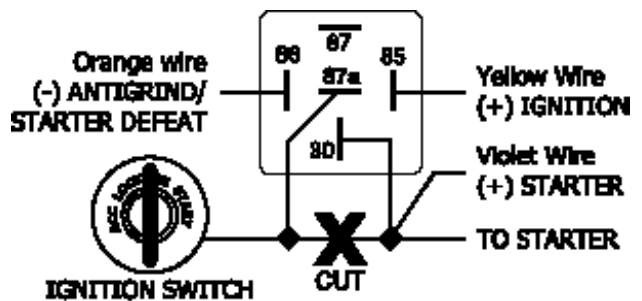
Negative Horn Honk



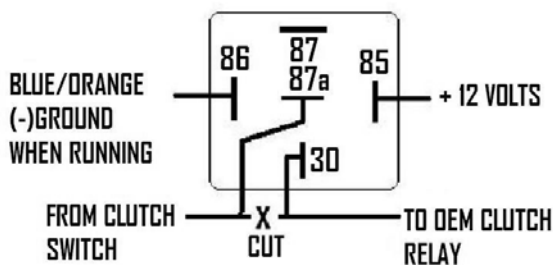
OPEN CIRCUIT CLUTCH SWITCH



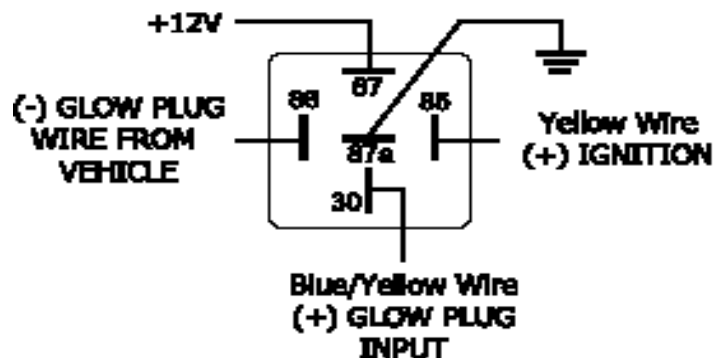
Starter Defeat/Anti-Grind



CLOSED CIRCUIT CLUTCH SWITCH



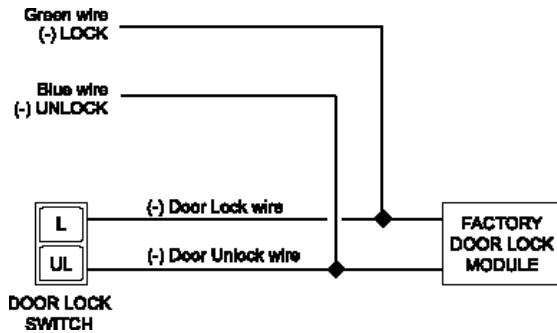
Negative Glow Plug



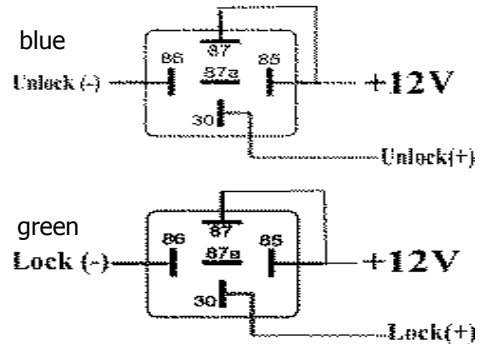
Door Lock Diagrams

Follow the diagrams below for connecting basic door lock systems. For Two Stage door lock systems (separately unlocks driver and passenger doors) see following pages.

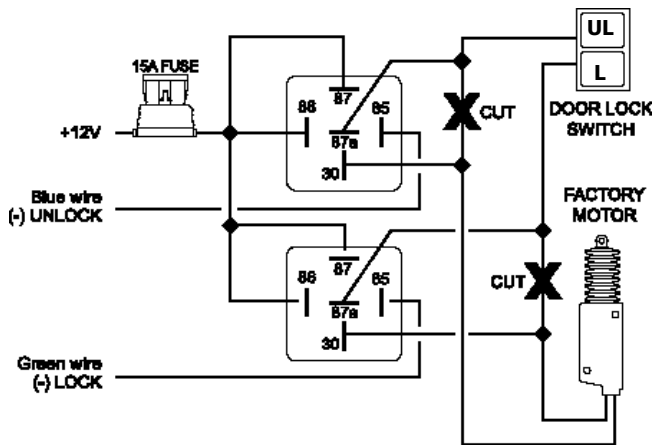
Negative Trigger



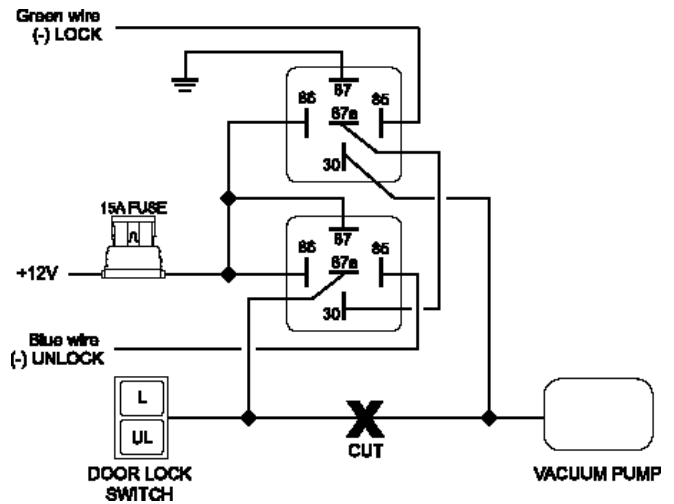
Positive Trigger



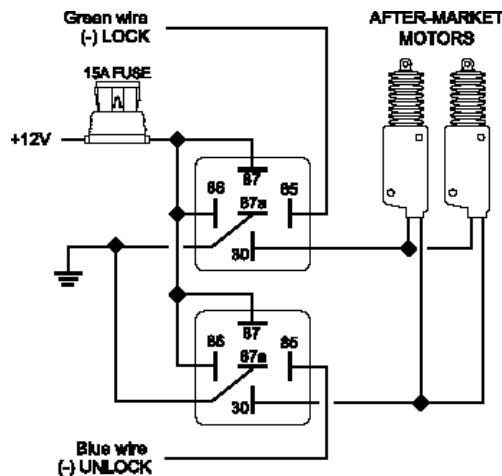
Reverse Polarity



Vacuum



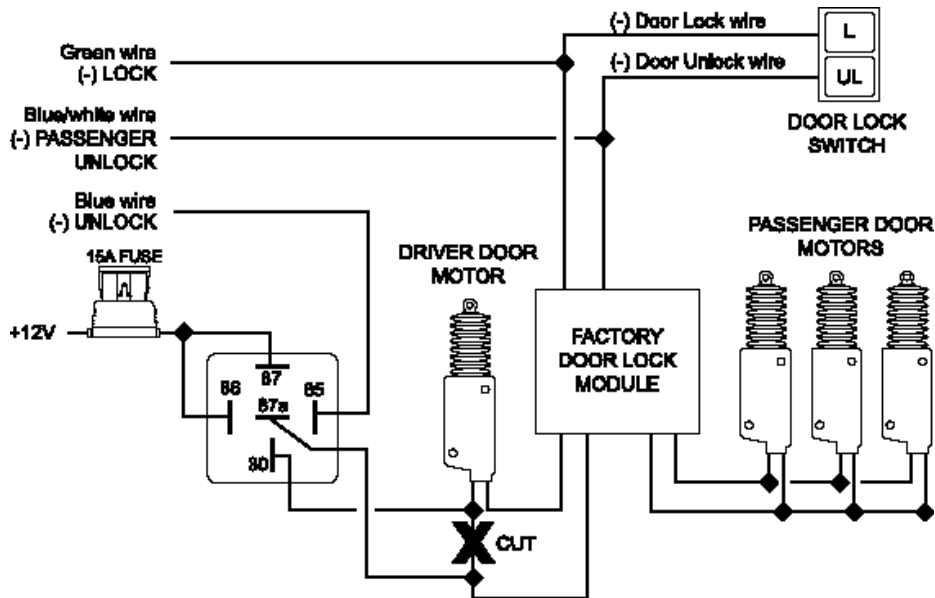
Adding Actuators



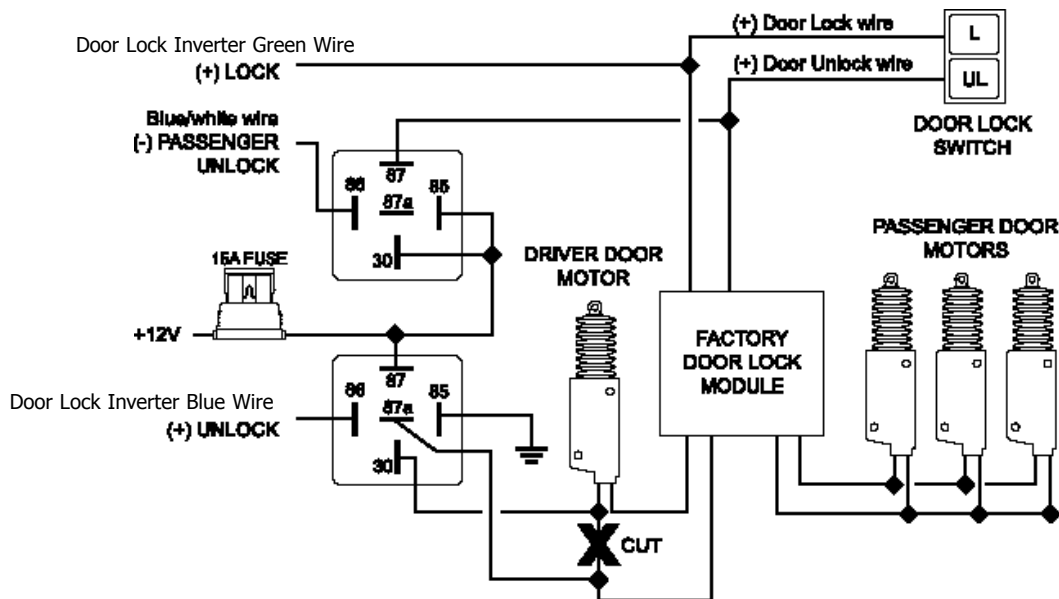
Two Stage Door Lock Diagrams

The Galaxy 5000/2000RS-DBP Series is equipped with a dedicated Passenger Unlock output allowing Two Stage Door Lock operation. When connected as shown below, disarming the system will unlock only the driver's door. Pressing the disarm button again will unlock all doors.

Two Stage Negative Trigger

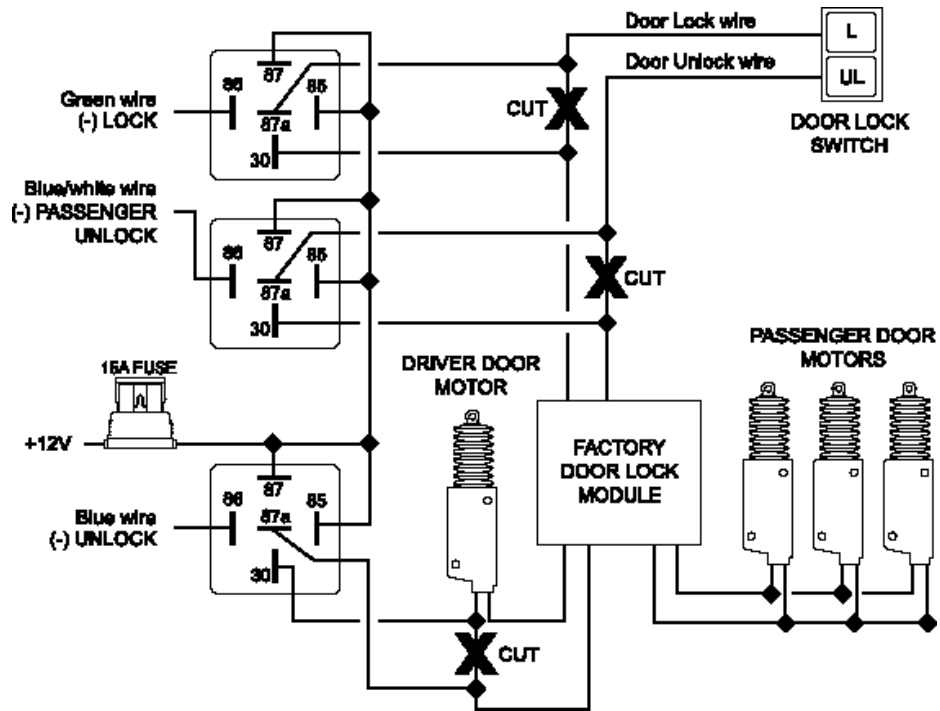


Two Stage Positive Trigger

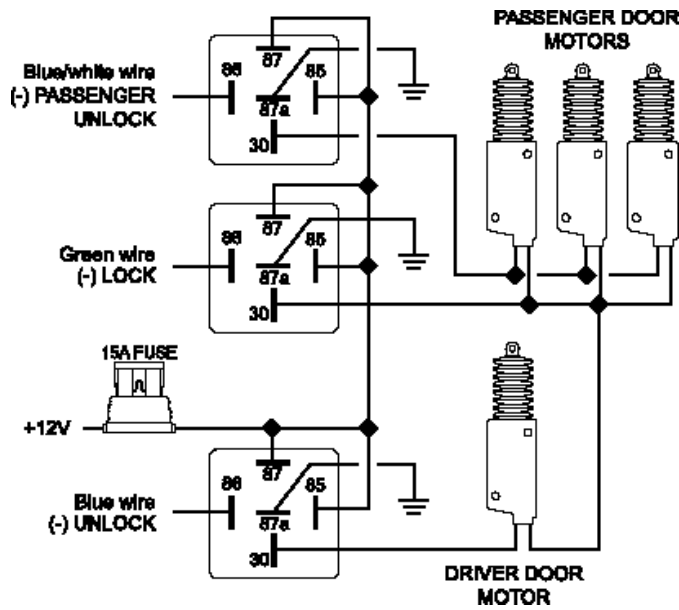


Two Stage Door Lock Diagrams cont'd

Two Stage Reverse Polarity



Two Stage Adding Actuators



Technical Information

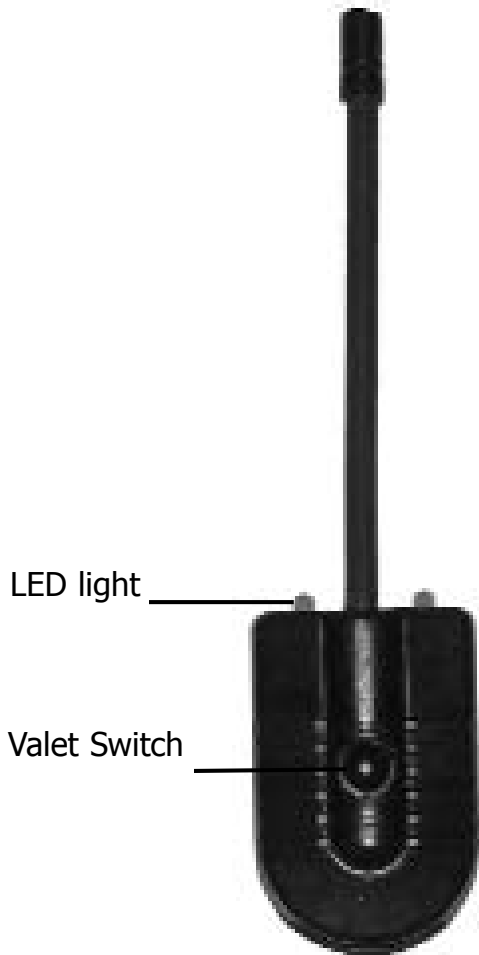
FCC ID: OARRXAM2000

This device complies with Part 15 of FCC Rules.

Operation is subject to the following two conditions:

- 1) This device may not cause harmful interference.
- 2) This device must accept any interference received, including interference that may cause undesired operation

Built-in LED Light/Override/Valet/Call Switch into Antenna



RS Models



RS-2W Models

Starter Diagnostics

Starter doesn't start and parking lights flash:

- 3 Times - **Engine RPM not detected (check tach wire and/or perform tach learn procedure)**
Hood Trigger is active (hood is open, wire is shorted to ground or pin switch is defective)
- 4 Times - **Brake Trigger is active (Brake switch input is shorted to ground or incorrect)**
- 5 Times - **Unit is in Valet (service) mode, and start is disabled.**
- 6 Times - **Emergency Brake Disengaged (Manual Transmission)**
- 7 Times - **Start Canceled (Manual Transmission)**

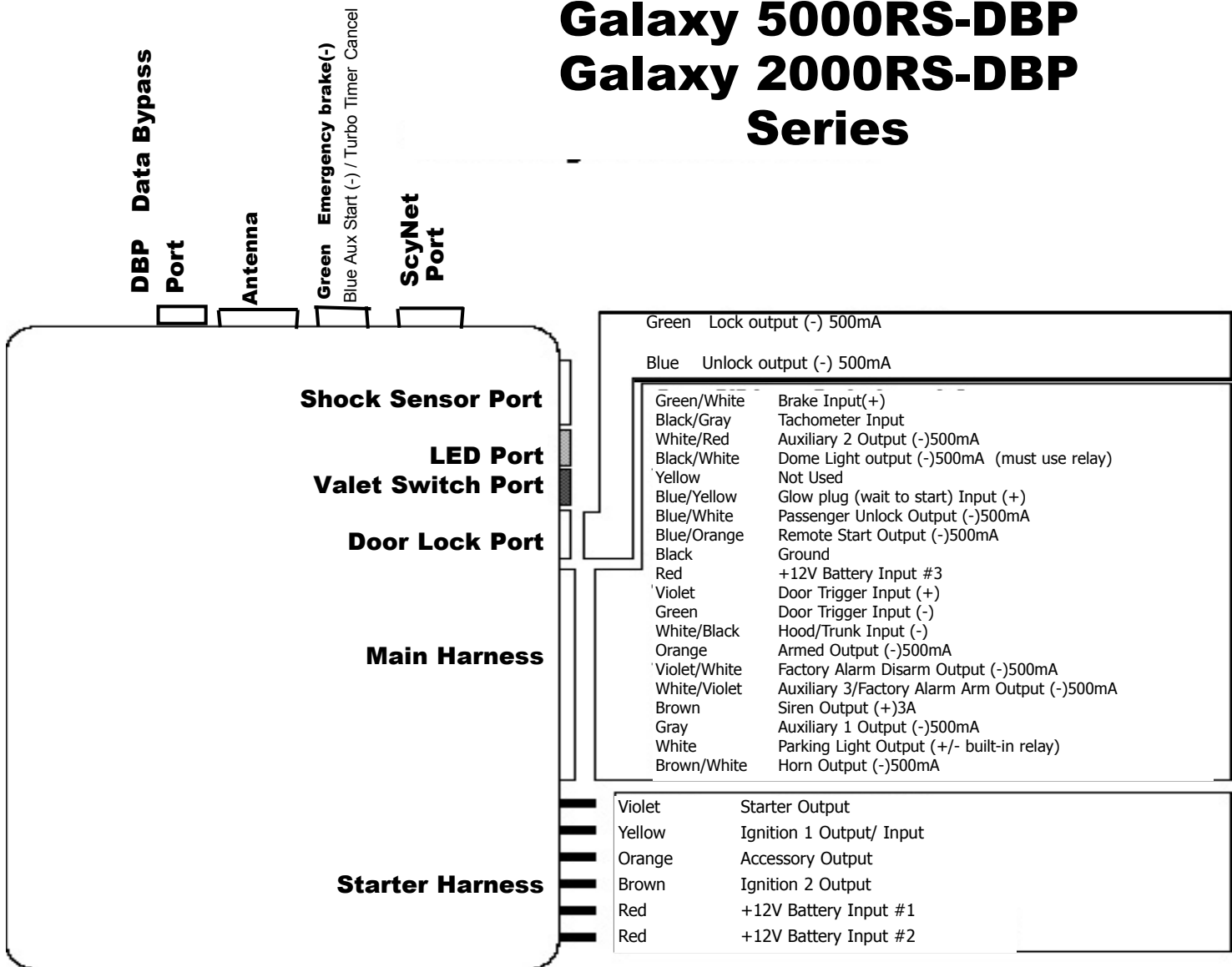
Shock Sensor Adjustment



Shock Sensor Adjustment:
Clock wise increases sensitivity

Wiring Diagram

Galaxy 5000RS-DBP Galaxy 2000RS-DBP Series



For Manual Transmission:

Must Install System Made For Manual Transmission:

Galaxy 5000RS-M-DBP And Galaxy 2000RS-M-DBP

For Manual Transmission These wires Must be connected : Tachometer input , Emergency Brake and Door Trigger

ScyTek Electronics

11627 Cantara Street
North Hollywood, CA 91605
www.scytek.net